



SMM-10 (White Bezel)



## SHARP MEETING ROOM MANAGER

**Sharp Meeting Room Manager (SMM)** offers a special business line that perfectly meets the requirements of meeting room and other signage. Due to the proven plug & play system, the **SMM-10** can easily be mounted on walls or any other kind of surface.

The **SMM-10** displays complement the server software with dedicated hardware solution to ensure optimized room administration, efficient utilization, time and cost savings for all companies along with increased quality for visitors and participants.

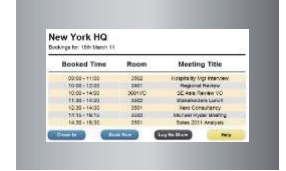
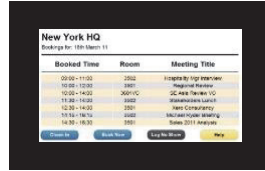
### Ideal for

- ▶ Conference rooms
- ▶ Offices
- ▶ Public buildings
- ▶ Hospitals
- ▶ Schools, universities



### Features and functions

- ▶ Web based booking tool for administrating rooms and ressources
- ▶ 2-way sync and automatic import of booking information (MS Exchange/Outlook, Google Calendar, etc.)
- ▶ Compatible with all conventional database types and booking systems (.csv, .xml, etc.)
- ▶ Energy-efficient and virtually maintenance-free operation
- ▶ Red or green background lighting ensures visibility of the booking status from afar
- ▶ Directly booking option on the screen via touchscreen (book/confirm/extend/delete appointments, send mails)



SMM-10 (Black)

SMM-10 (White)

SMM-10 (Metallic)

## 10" TFT Display

10 inches : 1024x600 (16:9) (WSVGA) Display with meeting room availability indicators via Software.

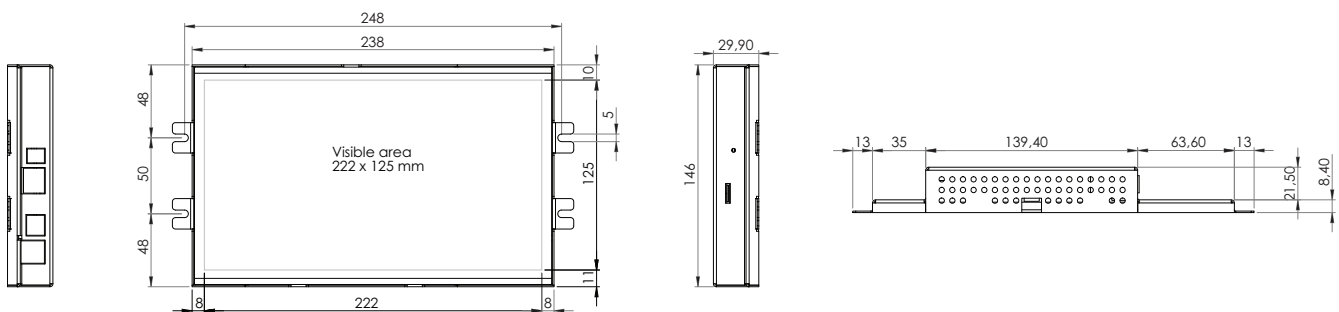
## Power on Ethernet (PoE)

SMM-10F series works on PoE . The main advantage of PoE is the installation of remote or outside equipment without having to connect to AC power. Equipment can be installed without the need for an electrician. The use of PoE also eliminates the AC/DC connection as a path for surges into the equipment. In a wired network with a lot of remote nodes, PoE based switches or routers eliminate the need for large numbers of AC power supplies or the installation of new AC outlets at the remote nodes.

## No need of any Mail Exchange Plug ins

The mail exchange room manager plug in is a separate module which can be installed on your mail exchange clients. This plug ins allows you to send a Meeting Request and to make the booking reservation, with equipment, catering, and all categories from mail exchange . This plug in talks to the room manager site by a web service. In Sharp SMM-10Fx series, you don't have to install or purchase additional plug ins to communicate with Room Manager system which already built-in in the license.

## Dimensions (Units in mm)



## Specifications - SMM-10B, SMM-10W & SMM-10M

### Power Supply:

Power 802.3af PoE (Class 3 - 12.95W)

DC-In 12V 1A

CPU: ARM Cortex™-A7 Dual-Core

GPU: Mali400MP2

OS: Embedded Linux (Debian 7)

### Storage:

1GB DDR3

microSDHC 8GB

### Ports:

2x USB 2.0

Ethernet (RJ45, 10/100 MBit POE / 1000Mbit non PoE)

DC-In

RS232, LED-drivers (both supported only by project-specific software-versions)

### Environmental Conditions:

Temperature: +5 - +45°C (= +41-+113°F)

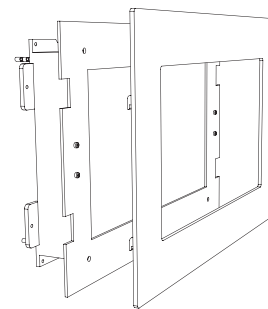
Humidity: 8 - 95%, non condensing.

## Key Features

- 10 inches TFT Display
- Power on Ethernet
- No Plugins Required
- Single Pack solution
- Easy Flush mount & Surface Mount (Q4)
- Out of the box Solution, ready for deployment

## Accessories

In-Wall mount bracket with bezel in three colors (Black, White & Metallic)



### Networking/Connections:

Dynamic (DHCP) / Static IP configuration

NTP or time-service based on eSign-Server

Remote-servicable (vnc / ssh)

### Requirements:

eSign-Server v9 (and up)

Connection to eSign-Server (default: HTTP on Port 28888)

### User-Interface:

10": visible area 222 x 125 mm | 1024 x 600 px 16:9 resistive touch

Template based UI-design

UI fully config-urable by end-user/integrator

Automatic control of display brightness

Any language possible

### Accessories:

SMM-BK01 In-Wall mount bracket